

UNIC

UNIC

V340

V340

Truck-Mounted UNIC Crane UR-V340 SERIES

For Medium-Duty truck.

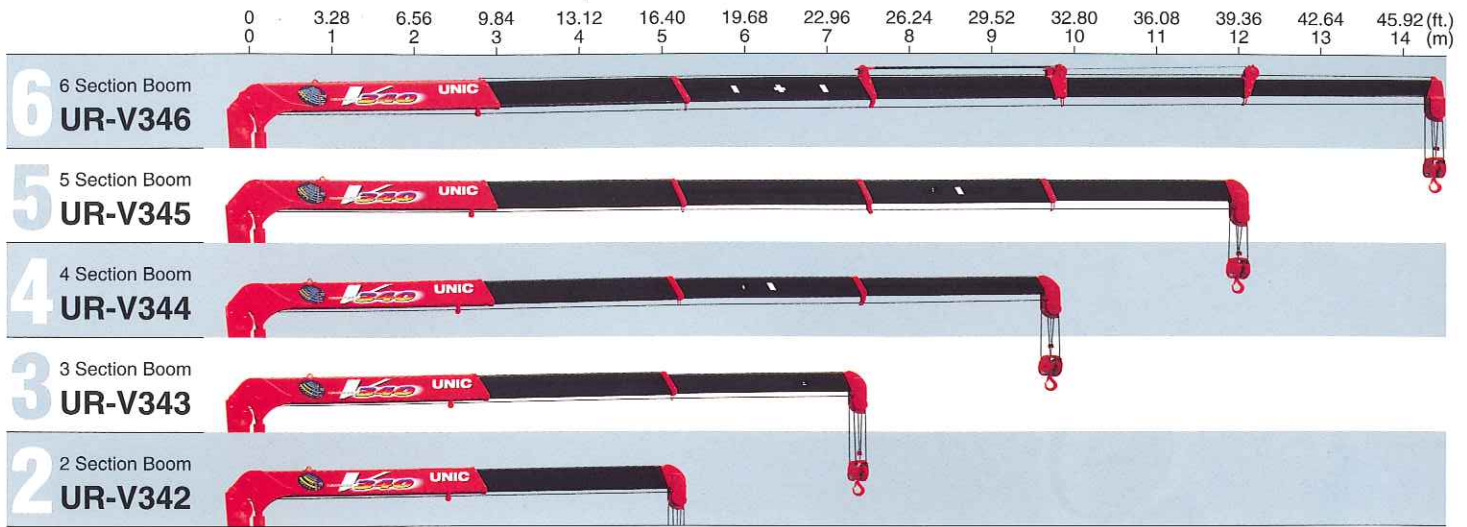
maximum lifting capacity. **3,030 kg.**

15.9 m. maximum hook height
(6 section boom).



FURUKAWA UNIC CORPORATION

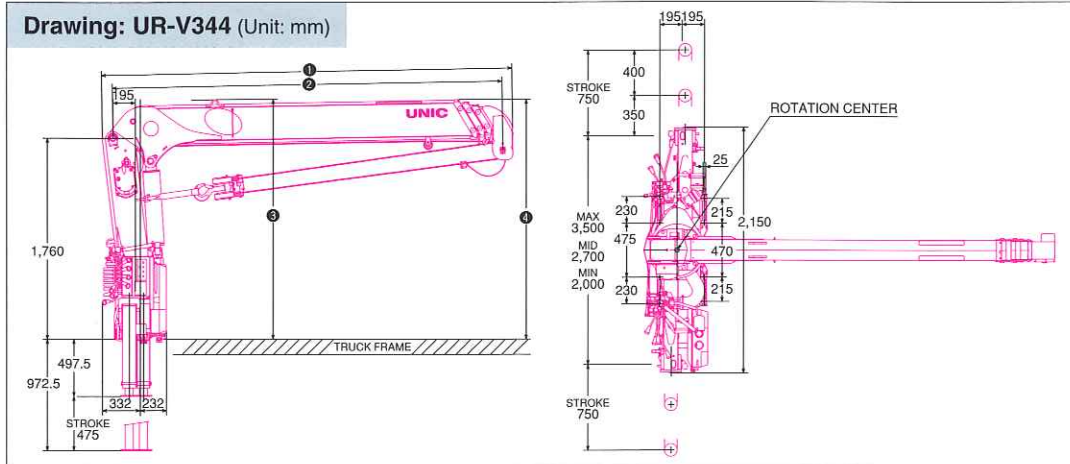
UNIC UR-V340 Series Line-up



Specifications Table

UR-V340 series		UR-V346	UR-V345	UR-V344	UR-V343	UR-V342
Maximum Lifting Capacity	lbs.	6,670 lbs. at 7.87 ft.	6,670 lbs. at 7.87 ft.	6,670 lbs. at 8.53 ft.	6,670 lbs. at 8.53 ft.	6,670 lbs. at 8.56 ft.
	kg.	3,030 kg. at 2.4 m.	3,030 kg. at 2.4 m.	3,030 kg. at 2.6 m.	3,030 kg. at 2.6 m.	3,030 kg. at 2.7 m.
Maximum Hook Height	ft.	Max. 52.15 ft.	Max. 44.94 ft.	Max. 37.39 ft.	Max. 30.18 ft.	Max. 22.96 ft.
	m.	Max. 15.9 m.	Max. 13.7 m.	Max. 11.4 m.	Max. 9.2 m.	Max. 7.0 m.
Maximum Working Radius	ft.	Min. 2.39 ft. to Max. 47.29 ft.	Min. 2.33 ft. to Max. 39.72 ft.	Min. 2.20 ft. to Max. 32.18 ft.	Min. 2.13 ft. to Max. 24.63 ft.	Min. 2.13 ft. to Max. 17.45 ft.
	m.	Min. 0.73 m. to Max. 14.42 m.	Min. 0.71 m. to Max. 12.11 m.	Min. 0.67 m. to Max. 9.81 m.	Min. 0.65 m. to Max. 7.51 m.	Min. 0.65 m. to Max. 5.32 m.
Boom Length	ft.	Min. 11.91 ft. to Max. 47.92 ft.	Min. 11.61 ft. to Max. 40.34 ft.	Min. 11.19 ft. to Max. 32.80 ft.	Min. 10.86 ft. to Max. 25.26 ft.	Min. 10.73 ft. to Max. 18.07 ft.
	m.	Min. 3.63 m. to Max. 14.61 m.	Min. 3.54 m. to Max. 12.30 m.	Min. 3.41 m. to Max. 10.00 m.	Min. 3.31 m. to Max. 7.70 m.	Min. 3.27 m. to Max. 5.51 m.
Boom Sections		6	5	4	3	2
Boom Raising Angle		Min. 1° to Max. 78°				
Slewing Angle		360° Continuous				

Drawing: UR-V344 (Unit: mm)



Crane Mounting Dimensions

Crane Model	①	②	③	④
UR-V346	3,814	Min. 3,630 ~ Mid. 5,850 ~ 8,040 ~ 10,230 ~ 12,420 ~ Max. 14,610	2,114	2,212
UR-V345	3,724	Min. 3,540 ~ Mid. 5,780 ~ 7,980 ~ 10,140 ~ Max. 12,300	2,136	2,134
UR-V344	3,594	Min. 3,410 ~ Mid. 5,650 ~ 7,825 ~ Max. 10,000	2,095	2,095
UR-V343	3,494	Min. 3,310 ~ Mid. 5,550 ~ Max. 7,700	2,092	2,095
UR-V342	3,454	Min. 3,630 ~ Max. 5,510	2,092	2,095



NOTE

- Rated loads shown in the chart are based on the crane strength with the outriggers fully extended on a firm level ground and on the actual working radius including the deflection of boom.
- The weights of hook (66 Lbs. / 30 kg.), slings, and any accessories attached to the boom or loadline must be deducted from the above capacities in the chart.
- Capacities shown must reduce in accordance with vehicle weight and loaded condition of truck, crane mounting position, and operating speed.
- The figures in relation to the speed are on the basis of no-load running at rated oil flow conditions.
- In accordance with our policy of constant product improvement, all specifications are subject to change without notice or obligations.



HOOK
+
SLINGS
+
LOAD
=
RATED LOAD